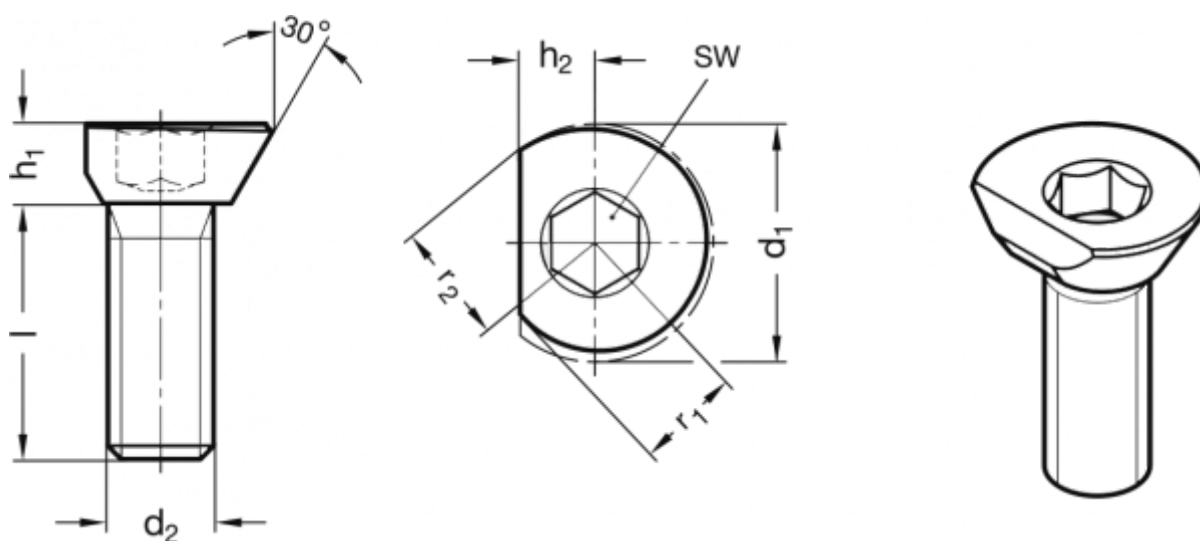


Article number: 20418226M1224R
 Description: E+G Cam point screw
 GN 418-27-M12-30R

Measures



d1	= 26	s1	= 2.53
d2	= M 12	s2	= 1.9
h1	= 9	SW	= 8
h2	= 8	Torque max N m	= 45
L	= 24	x	= 10.1
Load capacity F (kN)	= 5.4	z	= 12
r1	= 11.6		
r2	= 13.6		